

# LINEAR ACTUATOR

## AID10 Ball Screw series

12/24V DC Motor  
 Max. Load: 7000N  
 Max. Speed: 65mm/sec

### FEATURE:

- Stainless Steel Extension Tube
- High Efficiency Ball Screw
- Working Temperature : - 25°C to +65°C
- Static Load Capacity : 13600 N
- No Back Driving
- Overload Protection by Clutch
- Powder Metallurgy Gears
- Stroke Length: 100 - 600 mm
- Duty Cycle: 25 %
- Gear Ratio: 5:1, 10:1, 20:1, 30:1, 40:1
- Protection: IP54

### Option:

- Potentiometer
- Adjustable Limit Switches
- Protection: IP65



Standard

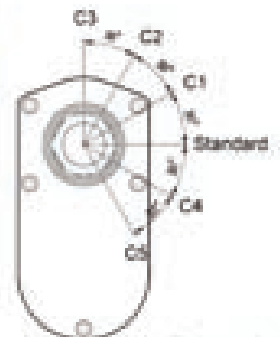


Potentiometer

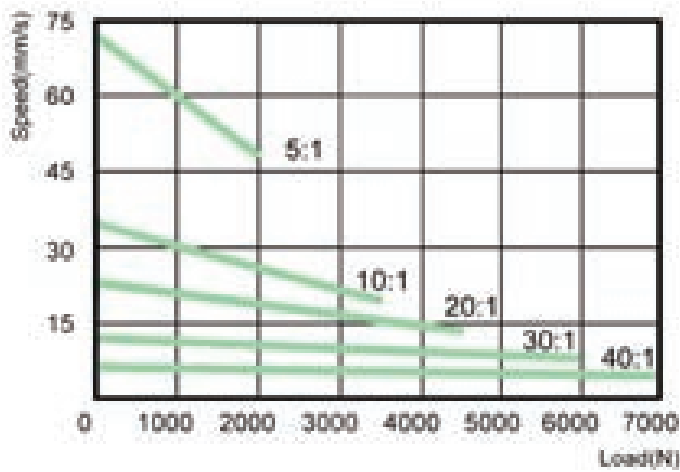
### Model No. Designations:

AID10	•	24	•	20	•	B	•	100	•	LT.POT.LC1.C2..
Model		Voltage 12-12V DC 24-24V DC		Gear Ratio 5-5:1 10-10:1 20-20:1 30-30:1 40-40:1		B: Ball Screw A: ACME		Stroke (mm)		LT: Limit Switch POT: Potentiometer L: Large Motor

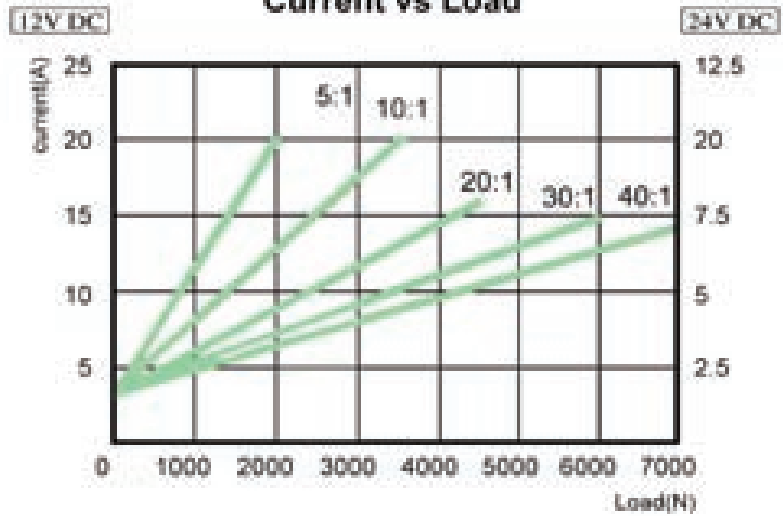
Gear Ratio	Max. Push (N)	Max. Pull (N)	Speed at No load (mm/s)	Speed at Full load (mm/s)	Stroke B-A (mm)	Voltage (VDC)
5:1	2000	2000	65	40	100-600	12/24
10:1	3500	3500	35	21	100-600	12/24
20:1	4500	4500	18	13	100-600	12/24
30:1	6000	6000	11	9	100-600	12/24
40:1	7000	7000	8	7	100-600	12/24




### Speed vs Load

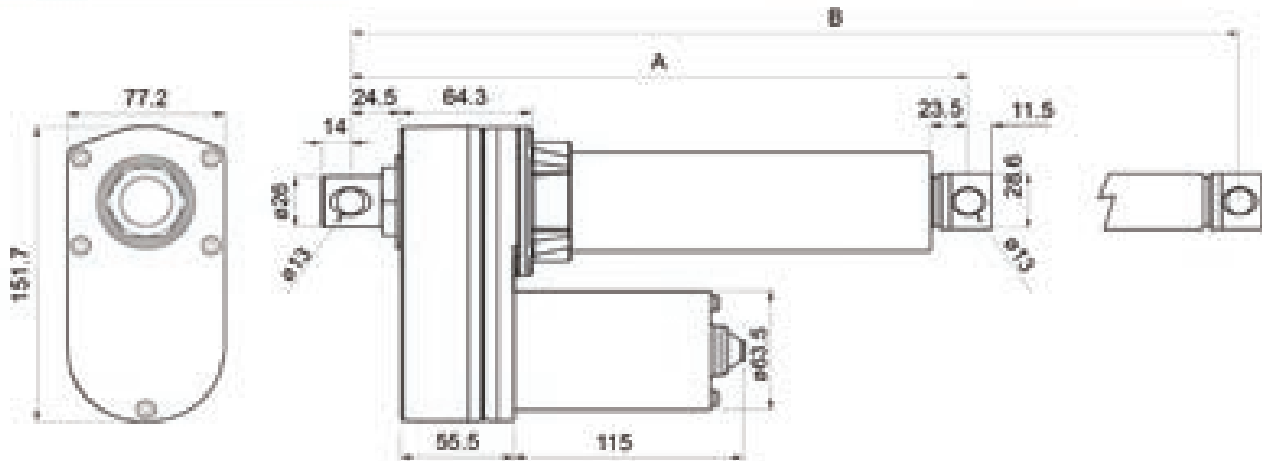


### Current vs Load




### Standard

	Stroke(±5mm)	84 mm	135 mm	186 mm	288mm	457mm	610mm
	Retracted Length(A±3mm)	306 mm	357 mm	408 mm	510mm	737mm	890mm
	Extended Length(B±3mm)	390 mm	492 mm	594 mm	798mm	1196mm	1502mm



### With Limit Switches or Potentiometer (POT)

	Stroke(±5mm)	84 mm	135 mm	186 mm	288mm	457mm	610mm
	Retracted Length(A±3mm)	346 mm	397 mm	448 mm	550mm	777mm	930mm
	Extended Length(B±3mm)	430 mm	532 mm	634 mm	838mm	1236mm	1542mm

