

ATA6-series

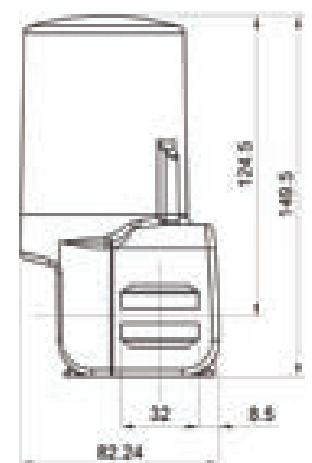
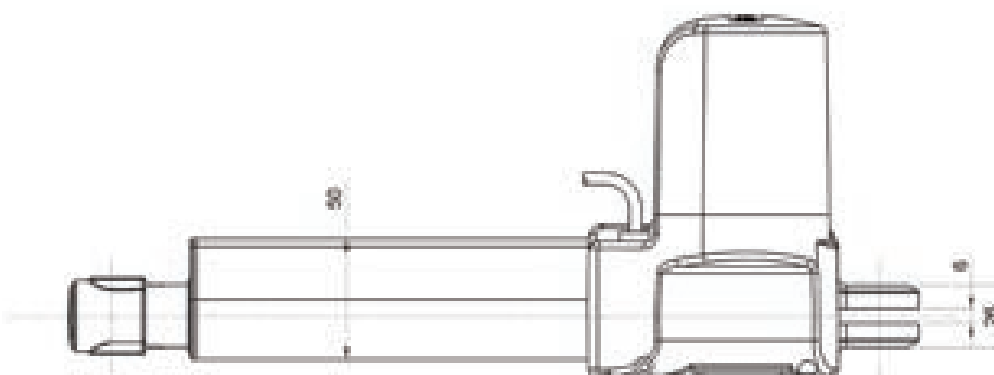
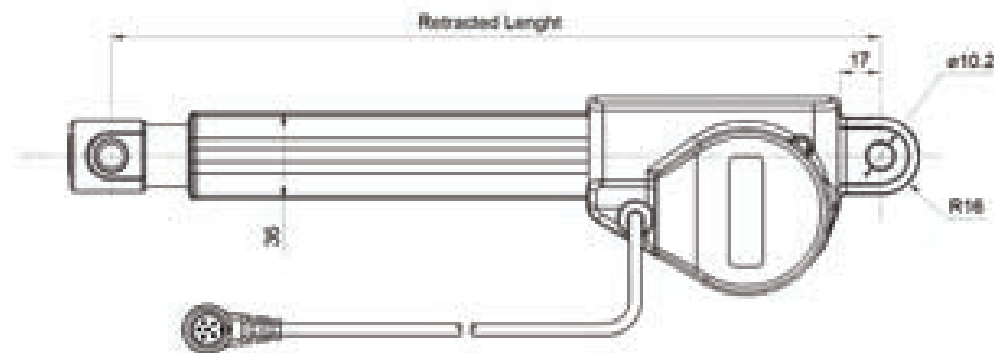


Features

- 24VDC motor
- Rated Load 6000N for push and pull
- Extremely low noise
- V0 fire resistance material
- Most compact design in nowadays market
- Durable and reliable gear box design
- Robust design for spindle assembly
- Limit Switch built-in
- Brake as an option
- Mechanical end-stop as single fault protection
- Safety Nut available
- IP52 as standard
- External Limit Switch protection available
- CE and RoHS complied
- EN60601 / UL60601 medical certificate approval

Relative Parameters

Load	1000N~6000N
Speed	4mm/sec~32mm/sec
Min. Retracted Length	Stroke + 163mm
Max. Current at full load	3.4Amps
Stroke	Up to 300mm



unit : mm

ATA6 Ordering Key:

ATA6	A	B	C	D	E	F	G	H	I	J	K	L	M	N	O	P
Spindle with Motor																
Standard Speed																
Please check to the catalog on the website																
	A	B	C	D	E	F	G	H								
	B															
	C															
	D															
	E															
	F															
	G															
	H															
Higher Speed																
Please check to the catalog on the website																
	I	J	K	L	M	N	O	P								
	J															
	K															
	L															
	M															
	N															
	O															
	P															
Stroke																
50		0	5	0												
up to																
600		4	0	0												
Retracted length																
S=160mm (Front Attachment: 1, 2)									0	0	0					
S=180mm (Front Attachment: 3,4)									0	0	0					
Rear Attachment																
U Fork plastic: 10.2mm (For push load)																1
U Fork plastic: 12.2mm (For push load)																2
Front Attachment																
Hole in tube with cap, ø 10.2mm																1
Hole in tube with cap, ø 12.2mm																2
U-fork end, ø 10.2mm																3
U-fork end, ø 12.2mm																4
Color																
Black (Standard)																1
Light Grey RAL 7035 (Optional)																2
Spindle Option																
None																0
Safety Nut																1
Push only																2
Safety Nut + Push only																3
Brake + Safety Nut																4
Safety Nut + Push Only + Brake																5
Sensor Option (not put)																
None																0
ELP (External Limit Switch Protection)																1
3rd Limit Switch																2
Connector																
Standard connector for ATC-series																1
Naked Wire without connector																2
Cable Length																
Straight 1m																1
Straight 0.5m																2
Customized cable length																3