

ATVL2-series

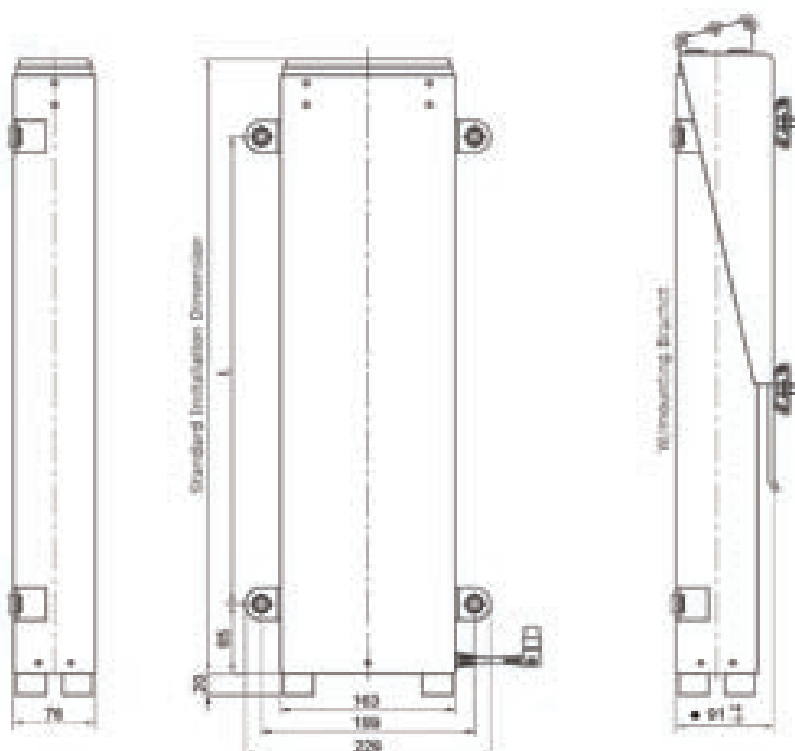


Feature

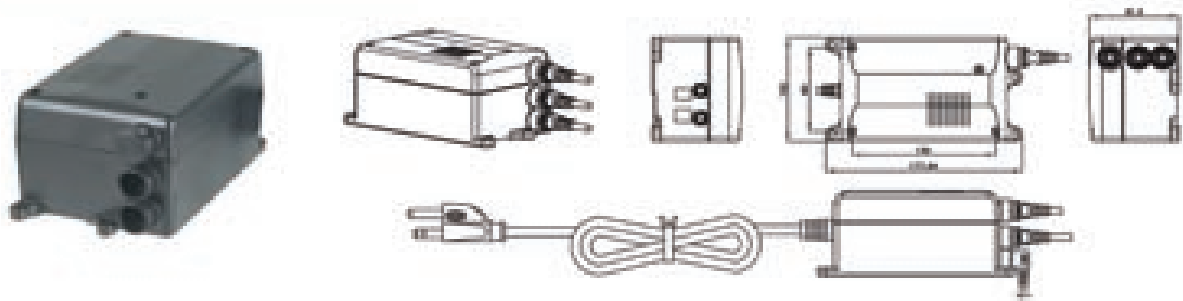
- Compact and solid lifting column, very easy to install, suitable for Plasma/LCD TV up to 60 inches.
- Maximum 60kgs load capacity.
- Maximum 35mm/sec lifting speed.
- The stroke can be adjusted (pre-set in factory).
- Driven by 24VDC motor, achieve quiet and safe operation.
- Equipped with factory preset End-Limit switches.
- Easy operate, 3 buttons IR remote control, with UP/DOWN and MEMORY functions.
- Microprocessor based control box with demonstration program and cycle timer built-in.
- Additional conceal Switch Box (Manual switch box) can operate the system when the IR remote is missing or out of order.

Relative Parameters			
Type	ATVL2-series		
Max. Load (N)	600N		
Max. Speed(mm/sec)	35mm/sec		
Standard Installation Dimension	795mm	685mm	570mm
Standard Stroke length	914mm	780mm	650mm
Mounting Dimension (L)	650mm	545mm	430mm

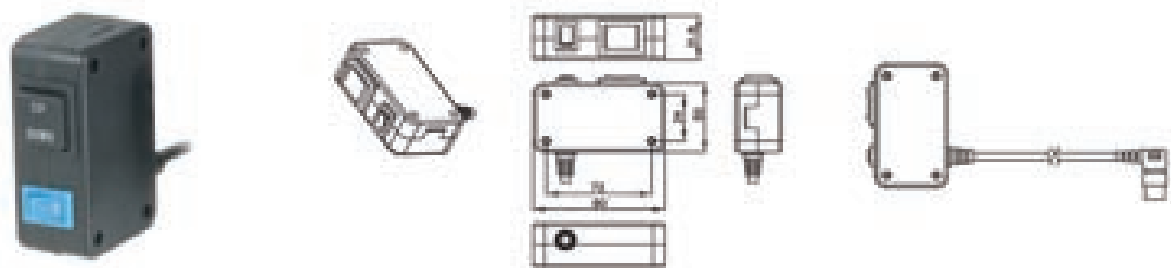
For detailed specifications, please check the full catalog



Main Control Box (ATC5-series):



Conceal Switch Box:

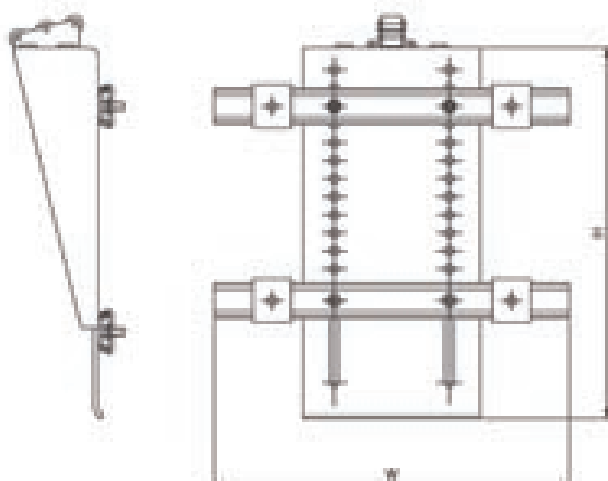


IR receiver:



Mounting Bracket (Option):

Remote Control:



	W	H
L	760	310
M	660	450
S	550	410

